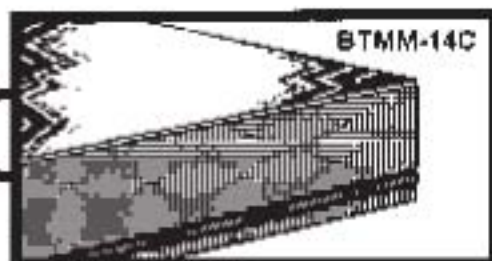
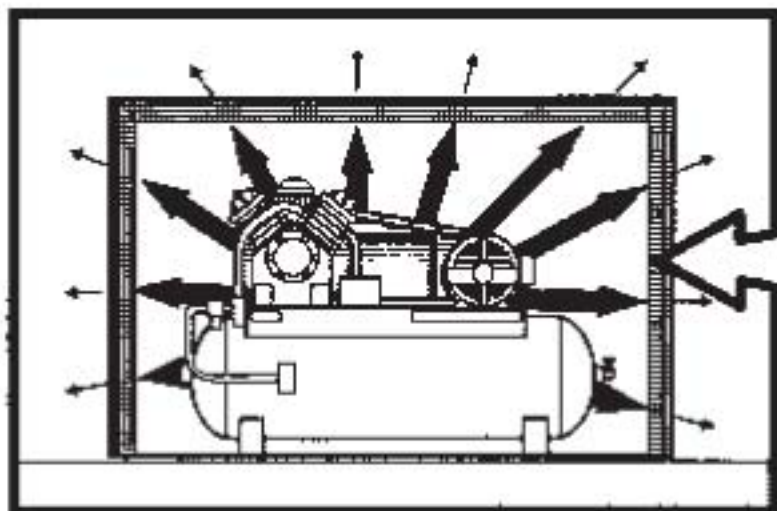


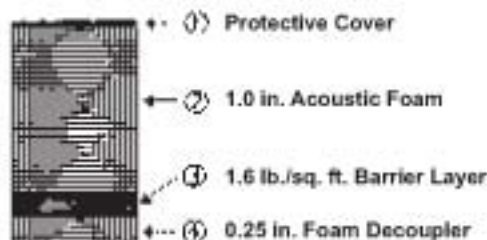
# NOISE ENCLOSURES

## ELIMINATE COMMON NOISE PROBLEMS WITH SIMPLE, EASY TO CONSTRUCT ENCLOSURES.

Reducing noise at its source is the most desirable approach to noise control. A sheet metal or plywood enclosure lined with an acoustic composite is a cost effective way to solve industrial and OEM noise problems. AcoustiGuard<sup>®</sup> Barymat 'BTMM-14C' is a versatile composite that can be incorporated into a wide variety of enclosure applications.



### COMPOSITE CROSS SECTION



- ① **Metallized Mylar Film - BTMM-14C** faces in towards the noise source and protects the absorption layer from contamination.
- ② **Acoustic Foam** absorbs noise and prevents it from reflecting out of the enclosure.
- ③ **Barrier Layer** provides transmission loss, keeping the sound within the enclosure.
- ④ **Foam Decoupler** enhances the performance of the barrier - glued directly to the inside of the enclosure.

### HIGH PERFORMANCE - 20 to 40 dBA Reductions

The use of AcoustiGuard<sup>®</sup> composites in enclosures can reduce noise levels anywhere from 20 to 40 dBA. Careful preparation of all openings, seals and joints will eliminate noise leakage paths and maintain maximum performance.

### BTMM-14C

Metallized mylar facing provides high contamination resistance and light reflectivity. It is suitable for very dirty, wet or oily environments and can be exposed to direct spray.

#### MATERIAL SPECIFICATIONS

#### STANDARD DIMENSIONS

Sheets - 54" x 72"  
(27 sq. ft.)

#### THICKNESS

BTMM-14C  
Approx. 1.25 in. - Overall  
Composite Thickness

**FOR COMPLETE APPLICATION ASSISTANCE, PLEASE CONTACT US**

#### CORPORATE OFFICE

288 Inshes Avenue  
Chatham, Ontario  
N7M 5L1

Phone: (519) 354-4270  
Fax: (519) 354-4193